

## Tiger Beam Clamp with Shackle Model No. BCS



### Main Features

- Range from 1.0t to 10.0t
- Quick and versatile rigging point for hoisting equipment
- Shackle suspension point
- Highly flexible – for lifting, pulling or as an anchor point
- Multidirectional adjusting screw spindle for easy attachment and safe and secure grip
- Wide Beam flange adjustment range
- Operating temperature of -50°C to +50°C
- 5:1 factor of safety
- Optional locking device



With optional locking device

These units meet and exceed all the requirements within BS EN 13155:2003+A2:2009 and AS4991.

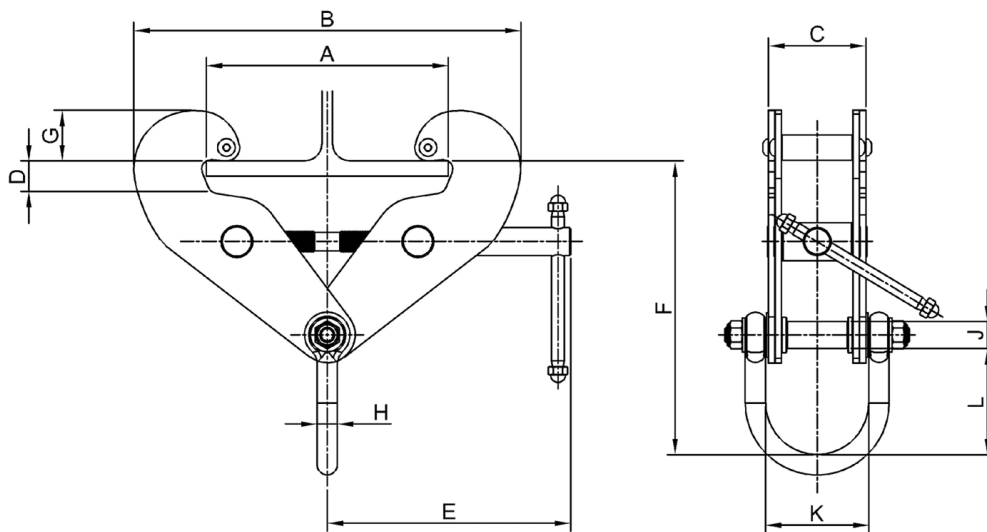
### Certification:

Each unit comes fully certified with a test certificate or an EC Declaration of Conformity stating compliance with the essential health and safety requirements of the Machinery Directive 2006/42/EC.

### Technical Data

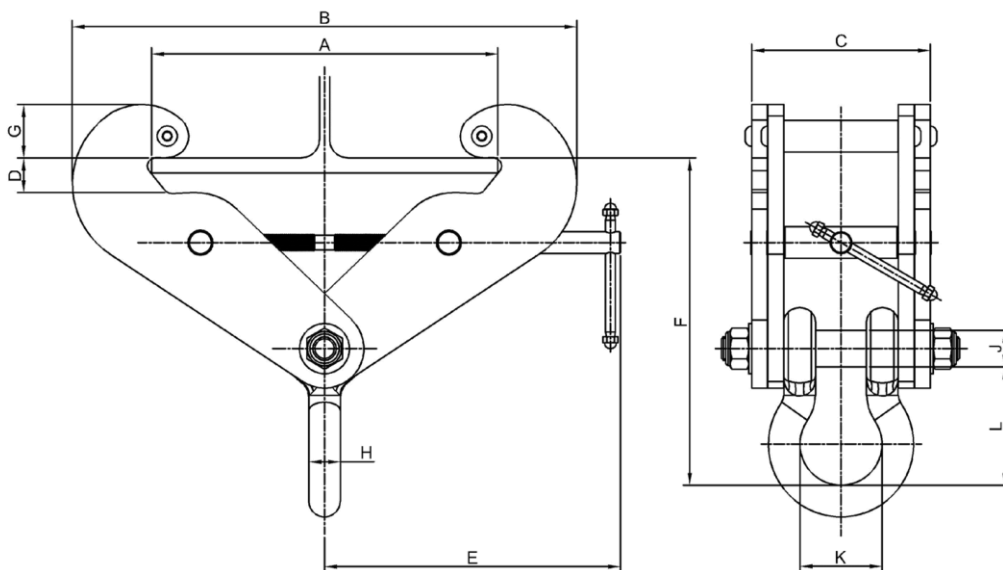
Product Code	Capacity (tonne)	Dimensions (mm)											Net Weight (kg)
		A	B	C	D	E	F	G	H	J	K	L	
BCS-0100	1.0	75-210	182-328	77	26	190	250-225	52-38	16	21	81	83	4.5
BCS-0200	2.0	75-210	182-328	85	26	190	260-236	52-38	18	21	89	94	5.5
BCS-0300	3.0	75-305	214-460	107	35	240	357-311	58-40	22	27	112	105	9.5
BCS-0500	5.0	75-305	214-460	121	35	240	363-315	58-40	27	27	125	111	11.0
BCS-1000	10.0	120-350	295-510	180	36	300	381-330	71-54	32	37	83	120	26.5

### Technical Drawing - 1t – 5t

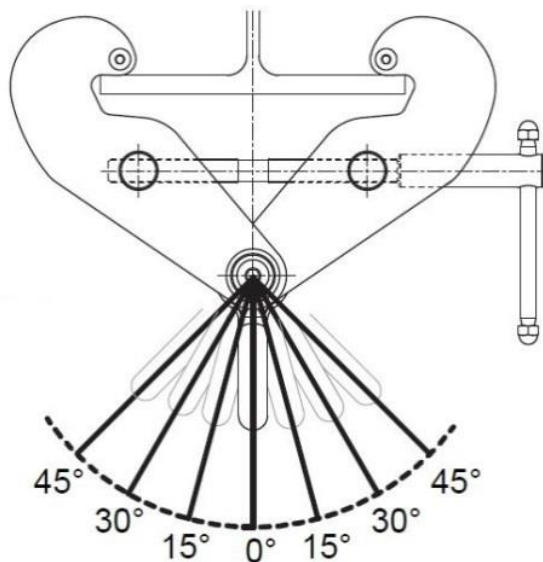


**Note:** Some stock in the 1t – 5t range may be supplied with a bow shackle rather than a D shackle (as in the drawing of the 10t unit below). If the fitting or dimensions are critical please contact us for information on availability.

### Technical Drawing - 10t



**Reduction in working load limits when side loads applied:**



Angle from vertical	0°	0° - 15°	15° - 30°	30° - 45°
Reduction Factor	Nil	17%	34%	50%
<b>Product Code</b>	<b>WLL</b>	<b>WLL</b>	<b>WLL</b>	<b>WLL</b>
BCS-0100	1000 kg	830 kg	660 kg	500 kg
BCS-0200	2000 kg	1660 kg	1320 kg	1000 kg
BCS-0300	3000 kg	2500 kg	2000 kg	1500 kg
BCS-0500	5000 kg	4100 kg	3300 kg	2500 kg
BCS-1000	10000 kg	8300 kg	6600 kg	5000 kg

The above working load limits and derations have been established for Tiger BCS model clamps and apply only for overhead beam attachments. They DO NOT apply when used for lifting beams. Our Tiger BCU clamp has been specifically designed for this purpose. The above tables apply only to the Tiger BCS model and we advise that structural calculations are carried out on all beams and supporting steel work by qualified engineering departments to ensure safe operation.

Due to our policy of continual product development, dimensions, weights and specifications may change without prior notice. Please check with your Tiger sales team when ordering.