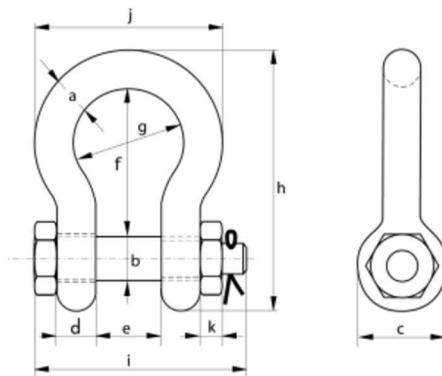


GREEN PIN SUPER BOW SHACKLE BN G-5263

It is vital that the correct Shackle is chosen and all entities are considered.

Please refer to the drawing below for product dimensions, and then select your shackle using the table.



working load limit	diameter bow	diameter pin	diameter eye	width eye	width inside	length inside	width bow	length	length bolt	width	thickness nut	weight each
t	a mm	b mm	c mm	d mm	e mm	f mm	g mm	h mm	i mm	j mm	k mm	kg
3.3	13.5	16	34	13	22	51	32	89	82	59	13	0.4
5	16	19	40	16	27	64	43	110	98	75	17	0.73
7	19	22	46	19	31	76	51	129	114	89	19	1.19
9.5	22	25	52	22	36	83	58	144	130	102	22	1.73
12.5	25	28	59	25	43	95	68	164	150	118	25	2.56
15	28	32	66	28	47	108	75	185	166	131	27	3.6
18	32	35	72	32	51	115	83	201	178	147	30	4.95
21	35	38	80	35	57	133	92	227	197	162	33	6.62
30	38	42	88	38	60	146	99	249	217	175	34	8.11
40	45	50	103	45	74	178	126	300	260	216	40	15
55	57	57	117	57	83	197	138	341	303	252	46	23
85	70	70	143	70	105	260	180	437	363	320	56	44
120	83	83	162	83	127	329	190	535	425	356	66	72
150**	95	95	208	95	147	400	238	647	524	428	50	112
175**	105	108	238	105	169	410	275	688	567	485	50	160