



Tiger Lifting



www.tigerlifting.com

Tiger

Home of the Tiger hoisting, winching and height safety ranges

Tiger Industrial Lever Hoist

Model No. TLH



Main Features

- Range from 250kg – 20000kg
- Rugged steel body construction
- Lightweight and portable
- 360 degree handle rotation
- Heavy duty chain end stop
- Short stroke and low lever pulling effort
- Easy single-hand “freewheeling” operation
- Drop forged & heat treated alloy hooks
- High quality alloy calibrated load chain
- Safe reliable twin pawl mechanical brake
- Guaranteed light load protection
- Heat treated alloy steel triple spur gears and pinion shaft
- Operating temperature of -40°C to +50°C
- Proof tested to 1.5 times rated capacity
- 1.5m height of lift as standard but can be chained to exact requirements
- Individual spares readily available
- Also available with stainless steel load chain
- 250kg and 500kg hoists come with useful belt bags
- Available with load bearing swivel hooks to meet relevant standards i.e. AS 1418.2
- Meets or exceeds all international standards

SGS





Tiger Lifting



www.tigerlifting.com

Tiger

Home of the Tiger hoisting, winching and height safety ranges

Tiger TLH Heavy Duty Lever Hoists

Lightweight, compact and rugged construction with the handle, gear case and brake cover made entirely of pressed steel, producing strong resistance to impact damage. Using only the highest quality materials precisely machined throughout ensures the TLH is the ideal hoist for long term use with less maintenance and servicing costs. These units meet and exceed all the requirements within BS EN 13157: 2004+A1:2009, ANSI/ASME B30.21, AS1418.2 and SANS 1636.

Certification:

Each unit comes fully certified with a test certificate or an EC Declaration of Conformity stating compliance with the essential health and safety requirements of the Machinery Directive 2006/42/EC. This document clearly states the proof test at 1.5 times the rated capacity and the light load test of 5% of the rated capacity, which exceeds the requirements of the current applicable standard.

Safety Brake:

The highly efficient twin pawl brake, works instantly when the operation is stopped and securely holds the load. Designed and 100% tested to hold a 5% load of the rated capacity. The bonded friction discs are free of asbestos and achieve highly efficient braking.

Load Chains:

Tiger only use the highest quality alloy, calibrated load chains in Grade T or VH. Also available with stainless steel load chain.

Grease:

High performance premium quality grease allows the TLH hoists to be certified for use within a temperature range of -40°C to +50°C far exceeding the requirements of current standards.

Mechanical Efficiency:

All major components are heat treated and precisely machined to ensure long term smooth operation. High gear ratios keep physical effort to a minimum.

Performance:

The TLH lever hoist has undergone a full test program that includes:

Type Testing

- Ultimate strength test, at least 4 times the Working load limit (WLL)
- Chain end anchorage test, passing at least 4 times the WLL without any restriction of the brake or gears

Test on every hoist

- Proof loading at 1.5 times the rated capacity
- Light load testing at maximum of 2% rated capacity





Tiger Lifting



www.tigerlifting.com

Tiger

Home of the Tiger hoisting, winching and height safety ranges



Hooks:

Our hooks incorporate our latest Patent Pending "EZ Check" feature which allows operators and inspection engineers to easily check to see if the hoist has been previously overloaded or shock loaded by simply measuring between the triangle of pop marks.

Our drop forged and heat treated alloy hooks are furnished with heavy duty spring latch kits that fully engage into the recessed nose of the hook safeguarding the load when side loading of the latch occurs and offering maximum load security. The swivel hooks are attached to the yoke using high grade nuts & bolts allowing for complete inspection during any statutory inspection or written scheme maintenance.

Available with hooks that swivel under the full working load limit, to meet relevant standards i.e. AS 1418.2. Also available with spark resistant hooks.



Chain End Stops:

User friendly heavy duty end stops make it easy for the operator to position the chain while "freewheeling", but most importantly this "end stop" will hold a load of at least 2.5 times the rated capacity when supporting the full load without restraint from other components e.g. brake or gearing.



Forgings:

Recessed forgings offer full protection to the load chain anchor bolts on all our bottom hooks.

Finish:

The TLH is finished in our high quality powder coat paint offering excellent corrosion protection.



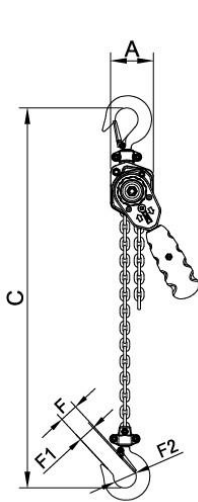


Technical Data

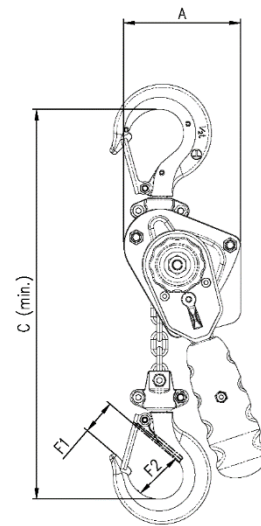
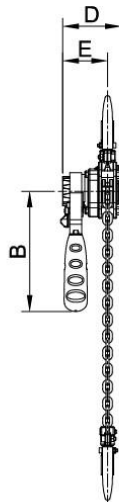
Product Code	Capacity (tonne)	Effort (kg)	Dimensions (mm)							Load Chain		Standard HOL (m)	Mass @ std HOL (kg)	Mass for extra metre HOL (kg)
			A	B	C	D	E	F1	F2	Diameter (mm)	No. of falls			
LH-0025	0.25	30	60	169	245	82	63	22	31	∅4.0	1	1.5	2.0	0.3
LH-0050	0.5	30	89	169	280	113	70	24	38	∅4.0	1	1.5	3.0	0.3
LH-0075	0.75	23	128	240	275	158	99	24	38	∅6.3	1	1.5	7.5	0.9
LH-0150	1.5	26	154	360	320	172	104	34	51	∅7.1	1	1.5	10.0	1.1
LH-0300	3.0	38	182	360	400	195	108	36	56	∅10.0	1	1.5	18.0	2.2
LH-0600	6.0	40	242	360	570	195	108	49	70	∅10.0	2	1.5	29.5	4.3
LH-1000	10.0	47	379	360	630	195	108	54	87	∅10.0	3	1.5	46.0	6.5
LH-1500	15.0	44	566	360	840	195	108	59	81	∅10.0	5	1.5	112.0	10.8
LH-2000	20.0	49	470	360	1050	250	160	81	110	∅10.0	6	1.5	156.0	13.1

See page 5 for more hook information

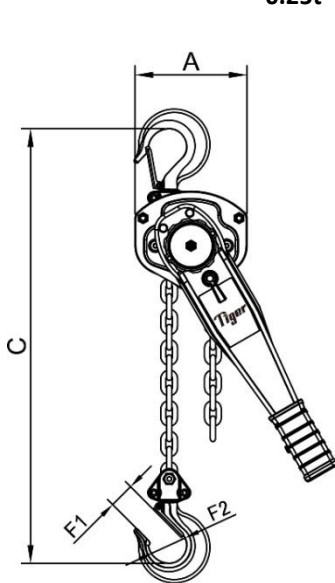
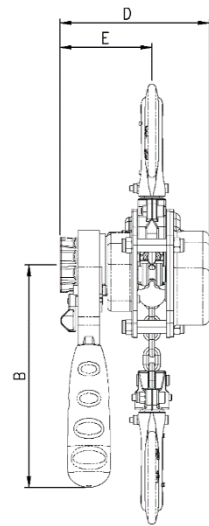
Technical Drawings



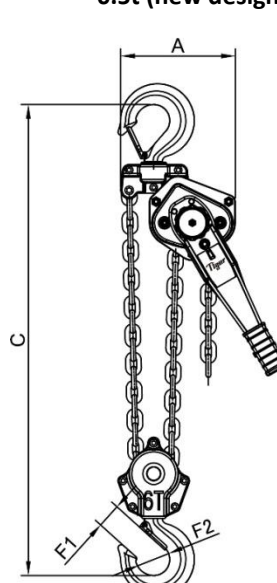
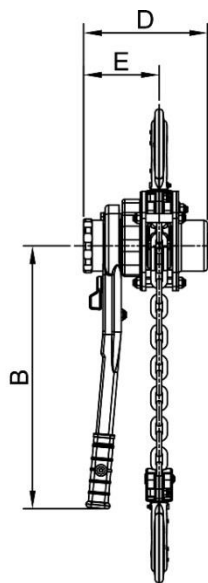
0.25t



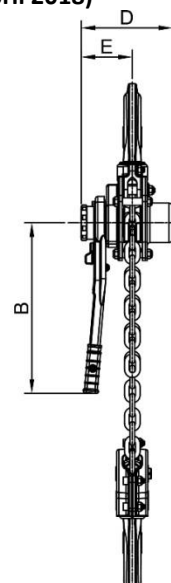
0.5t (new design April 2018)



0.75t-3.0t



6.0t





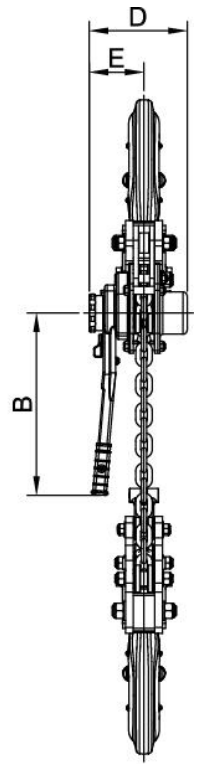
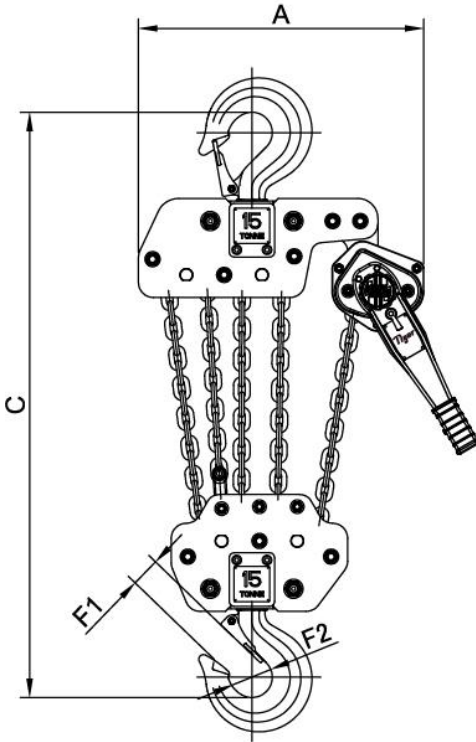
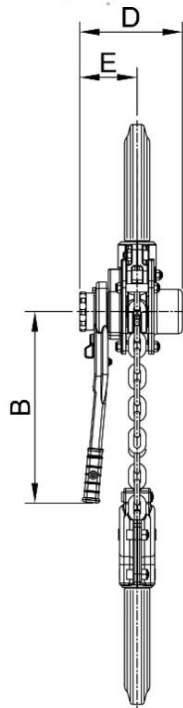
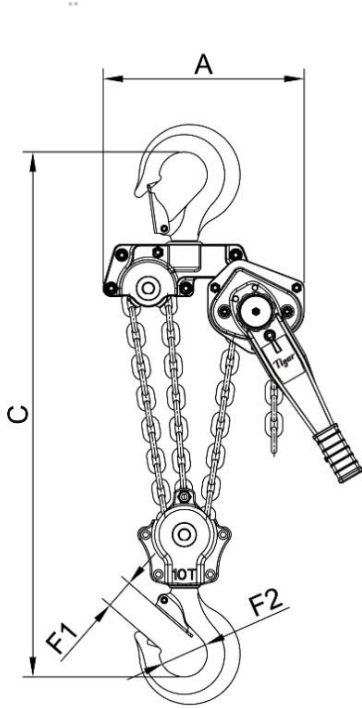
Tiger Lifting



www.tigerlifting.com

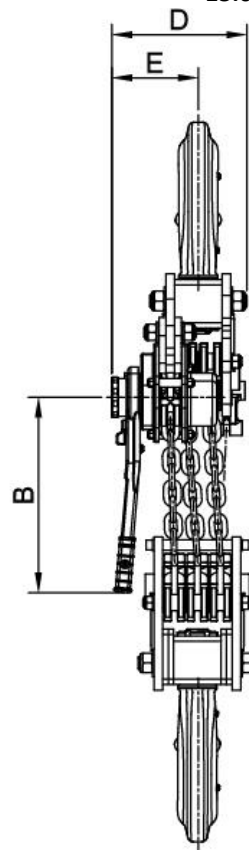
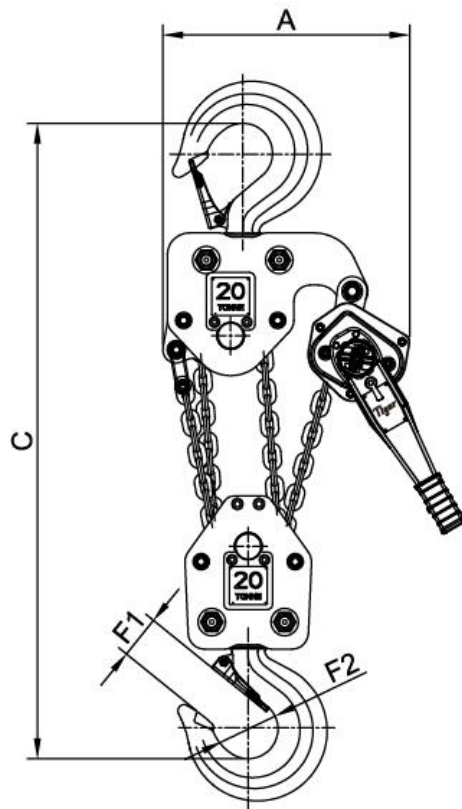
Tiger

Home of the Tiger hoisting, winching and height safety ranges



10.0t

15.0t



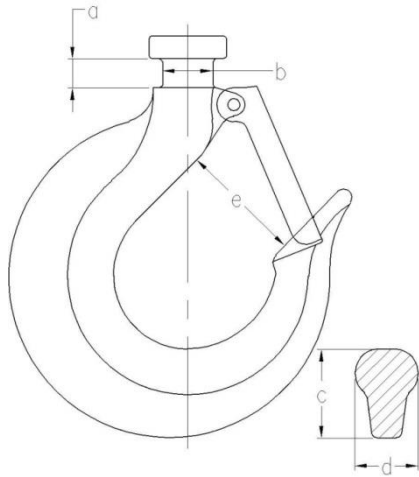
20.0t



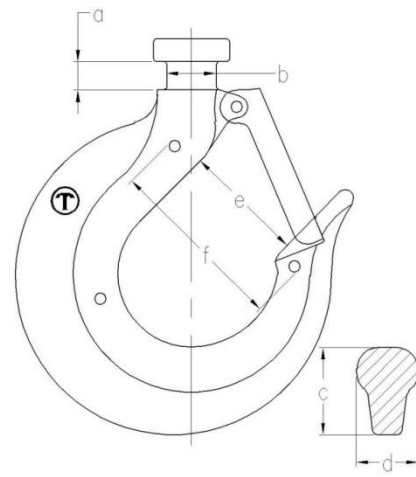


Hook Technical Data

Capacity (Tonnes)	Collar measurements (mm)		Hook thickness at point shown in diagram (mm)		Hook throat Opening (mm)	"EZ Check" measurement (mm)
	a	b	c	d		
0.25	5	8	18	12	26	N/A
0.5	8	13.5	19	15	29	47
0.75	8	13.5	19	15	29	47
1.5	10	15.5	26	21	39	59
3.0	12.5	20	37	32	42	76
6.0	19	30	43	36	58	86
10.0	20	33	52	48	70	121
15.0	-	36	67	60	67	130
20.0	-	48	77	72	90	162

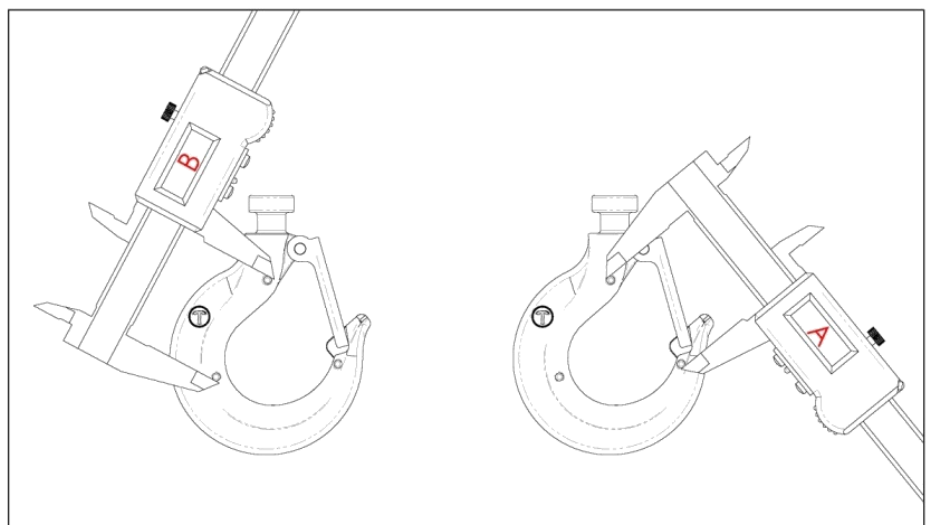


Traditional Tiger Hooks



Tiger Hooks with new "EZ Check" 3 point marking system

Newer models of the TCB are fitted with the patent pending Tiger "EZ check" 3 point marking system. With this system a quick check that the A and B measurements are the same (as shown in the diagram below) will indicate if the hooks have stretched. If $A \leq B$ the hook is fine; If $A > B$ the hook needs to be replaced:





Tiger Lifting

www.tigerlifting.com

Tiger

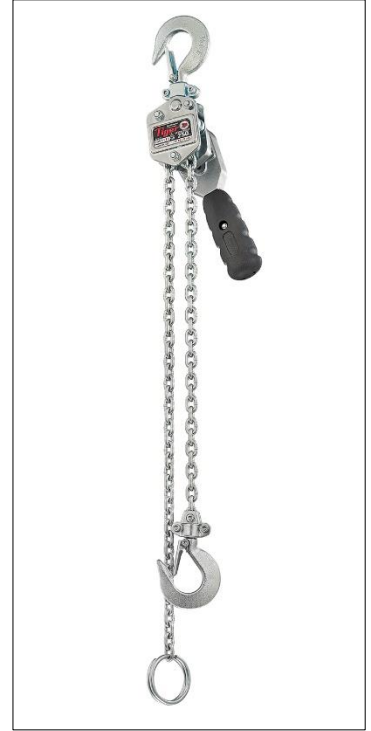
Home of the Tiger hoisting, winching and height safety ranges



250kg model with bag (old handle design)



New 500kg model



New 250kg handle design

Due to our policy of continual product development, dimensions, weights and specifications may change without prior notice. Please check with your Tiger sales team when ordering.

